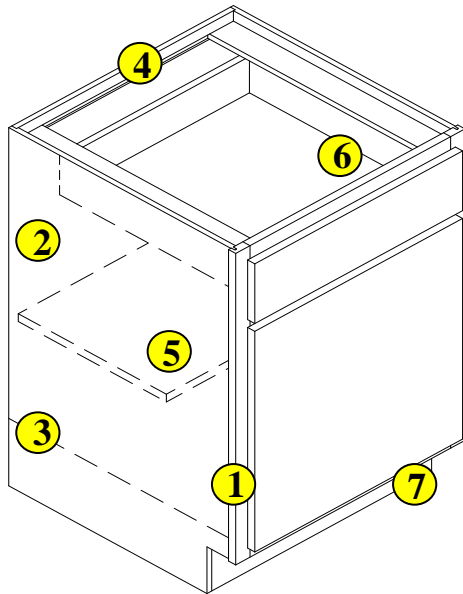
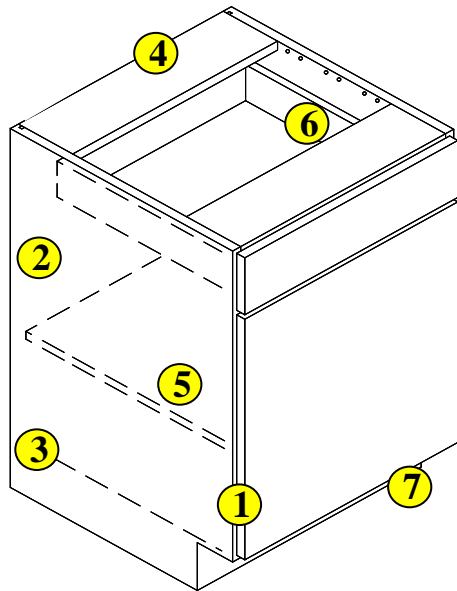


Dura Supreme Cabinet Comparison



Crestwood and Designer



Bria and Alectra

		Crestwood	Designer	Bria	Alectra
1	Construction	3/4" X 1-1/2" Solid Hardwood Face Frames with I-Beam Construction		Frameless or "Full-Access" Construction with coordinating PVC edge banding	Frameless or "Full-Access" Construction with wood edge banding
2	End Panels	1/2" thick Furniture Board or Plywood upgrade	1/2" Plywood	3/4" thick Furniture Board or Plywood upgrade	3/4" thick Furniture Board or Plywood upgrade
3	Top/Bottom	1/2" thick Furniture Board or Plywood upgrade	1/2" Plywood	3/4" thick Furniture Board or Plywood upgrade	3/4" thick Furniture Board or Plywood upgrade
4	Back	1/2" thick Furniture Board or Plywood upgrade	1/2" Plywood	1/4" MDF core with Hanging Rail	1/4" MDF core with Hanging Rail
5	Adjustable Shelves	3/4" thick Furniture Board or Plywood upgrade	3/4" Plywood	3/4" thick Furniture Board or Plywood upgrade	3/4" thick Furniture Board or Plywood upgrade
6	Drawer box & Roll-out Shelves	5/8" hardwood box with furniture dovetailed joints	Premium 5/8" solid Maple box with dovetailed joints sanded & finished - eased top edge	5/8" hardwood box with furniture dovetailed joints	Premium 5/8" solid Maple box with dovetailed joints sanded & finished - eased top edge
	Glides	Blumotion Soft Close Full Extension Undermount Glides for drawers and roll-out shelves			
7	Toe Kick	4 1/2" High x 3" Recess Finished to Match			
	Cabinet Interior	Maple Woodgrain Print or Maple Veneer with Natural Finish	Maple Veneer with Natural Finish	Maple Woodgrain Print or Maple Veneer with Natural Finish	Maple Woodgrain Print or Maple Veneer with Natural Finish
	Finished Ends	Matching Wood Veneer	Matching Wood Veneer	Matching Wood Veneer	Matching Wood Veneer
	Hinges	Fully Adjustable with Optional Soft Close	Fully Adjustable with Soft Close	Fully Adjustable with Optional Soft Close	Fully Adjustable with Soft Close